

CHANNEL SHOES

Toll Free (800) 527-1318
 (972) 286-2368
 Fax (972) 557-4727

ALLOY CASTING

Aluminum



A TYPE 1/2" X 1" □



HOLE IS 1/2" X 1"

8410

HEIGHT	2"
WIDTH:	1 1/2"
THICK:	5/8"
WEIGHT:	.1 lbs

NEW

A TYPE 1/2" X 1 1/2" □



HOLE IS 1/2" X 1 1/2"

417

HEIGHT	2 1/2"
WIDTH:	2 1/4"
THICK:	1"
WEIGHT:	.2 lbs

NEW

V TYPE 3/4" X 1 1/2" □



HOLE IS 3/4" X 1 1/2"

418

HEIGHT	2 3/4"
WIDTH:	2 3/8"
THICK:	1 1/8"
WEIGHT:	.25 lbs

NEW

A TYPE 3/4" X 1 1/2" □



HOLE IS 3/4" X 1 1/2"

428

HEIGHT	2 3/8"
WIDTH:	2 1/4"
THICK:	7/8"
WEIGHT:	.2 lbs

NEW

1" X 1 1/2" □



HOLE IS 1" X 1 1/2"

8466

HEIGHT	6 1/8"
WIDTH:	2 1/2"
THICK:	1 1/4"
WEIGHT:	.30 lbs

NEW

V TYPE 1" X 1 1/2" □



HOLE IS 1" X 1 1/2"

419

HEIGHT	3"
WIDTH:	2 3/8"
THICK:	1 1/8"
WEIGHT:	.3 lbs

NEW

1" X 2" □




HOLE IS 1" X 2"

8431

HEIGHT	2 5/8"
WIDTH:	2 5/8"
THICK:	1 5/8"
WEIGHT:	.30 lbs

NEW

1" X 2" □



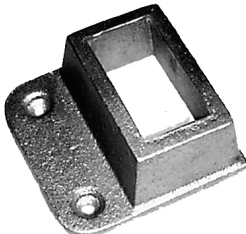
HOLE IS 1" X 2"

8441

HEIGHT	6 1/4"
WIDTH:	2 5/8"
THICK:	1 1/8"
WEIGHT:	.40 lbs

NEW

A TYPE 1" X 2" □



HOLE IS 1" X 2"

8419

HEIGHT	3 1/8"
WIDTH:	3 1/8"
THICK:	1 1/4"
WEIGHT:	.35 lbs

NEW

A TYPE 1" X 2" □



HOLE IS 1" X 2"

8417

HEIGHT	6 1/2"
WIDTH:	3"
THICK:	2"
WEIGHT:	1 lbs

NEW

V TYPE 1" X 2" □



HOLE IS 1" X 2"

8401

HEIGHT	2 3/4"
WIDTH:	2 1/8"
THICK:	1 1/4"
WEIGHT:	.25 lbs

V TYPE 1" X 2" □



HOLE IS 1" X 2"

8400

HEIGHT	4 5/8"
WIDTH:	1 1/2"
THICK:	1 1/8"
WEIGHT:	.1 lbs