

134

2"



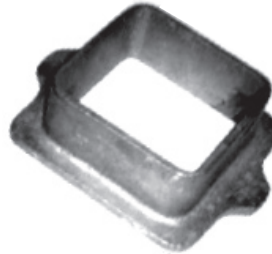
COLONIAL
FLANGE SET

HOLE IS 2 IN. DIAMETER. THIS PIECE WITH NO. 137
MAY BE USED AS A PAIR. SEE SKETCH TO RIGHT.

HEIGHT	4 1/2 IN	12.1 CM
WIDTH	4 IN	10.2 CM
THICK	1 1/4 IN	3.2 CM
WEIGHT	0.6 LBS	0.2 KGS

137

3"

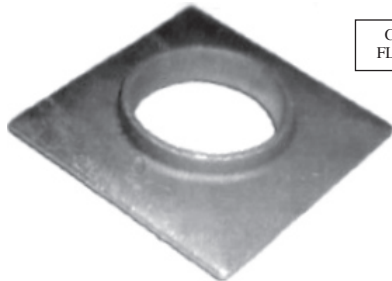


HOLE IS 3 IN. SQUARE. THIS PIECE WITH NO.134
MAY BE USED AS A PAIR. SEE SKETCH TO RIGHT.

HEIGHT	4 1/2 IN	11.4 CM
WIDTH	5 5/8 IN	14.3 CM
THICK	1 1/2 IN	3.8 CM
WEIGHT	0.6 LBS	0.3 KGS

135

3"



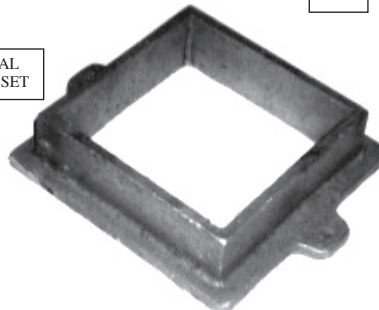
COLONIAL
FLANGE SET

HOLE IS 3 IN. DIAMETER. THIS PIECE WITH NO.138
MAY BE USED AS A PAIR. SEE SKETCH TO RIGHT.

HEIGHT	5 3/4 IN	14.6 CM
WIDTH	5 3/4 IN	14.6 CM
THICK	1 3/8 IN	3.5 CM
WEIGHT	1.1 LBS	0.5 KGS

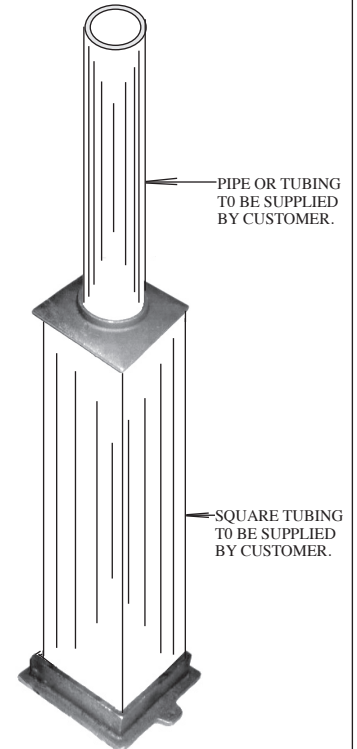
138

4"



HOLE IS 4 IN. SQUARE. THIS PIECE WITH NO.135
MAY BE USED AS A PAIR. SEE SKETCH TO RIGHT.

HEIGHT	1 1/2 IN	14.0 CM
WIDTH	6 3/4 IN	17.1 CM
THICK	4 1/2 IN	3.5 CM
WEIGHT	0.9 LBS	0.4 KGS



NOTE: THIS AREA NOT TO SCALE.

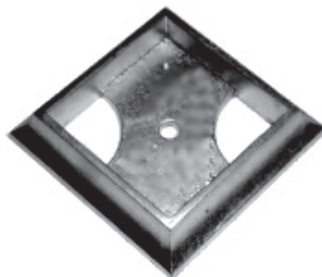
COLONIAL FLANGE ASSEMBLY

(USING NO. 135 AND NO. 138)

8512

NEW

3 3/4"



HOLE IS 3 3/4 INCHES SQUARE.
BOSS IS 3/4 INCH DEEP.

HEIGHT	5 1/8 IN	13.0 CM
WIDTH	5 1/8 IN	13.0 CM
THICK	1 IN	2.5 CM
WEIGHT	0.8 LBS	0.4 KGS

REVISION DATE: 01/23/95

SCALE: 3 INCHES = 1 FOOT UNLESS NOTED