



# Alloy Casting

ALUMINUM CASTINGS

Toll Free (800) 527-1318

(972) 286-2368

Fax: (972) 557-4727

Section:

Victorian  
Castings

**983**      **DF**  
NEW

HEIGHT 30 IN	82.2 CM
WIDTH 8 IN	26.7 CM
THICK 1 1/2 IN	3.8 CM
WEIGHT 5.2 LBS	2.7 KGS

**885**      **SF**

HEIGHT 27 3/8 IN	69.5 CM
WIDTH 9 5/8 IN	24.4 CM
THICK 5/8 IN	1.6 CM
WEIGHT 2.2 LBS	1.0 KGS

**886**      **DF**

HEIGHT 27 3/8 IN	69.5 CM
WIDTH 9 5/8 IN	24.4 CM
THICK 3/4 IN	1.9 CM
WEIGHT 4.8 LBS	2.2 KGS

**920**      **SBO**

HEIGHT 30 1/4 IN	78.8 CM
WIDTH 9 5/8 IN	24.4 CM
THICK 1 1/8 IN	2.9 CM
WEIGHT 4.2 LBS	1.7 KGS

**822**      **DF**

HEIGHT 27 1/8 IN	53.7 CM
WIDTH 7 5/8 IN	19.4 CM
THICK 3/4 IN	1.9 CM
WEIGHT 3.1 LBS	1.4 KGS

**824**      **SF**

HEIGHT 21 3/8 IN	54.3 CM
WIDTH 10 IN	25.4 CM
THICK 3/8 IN	1.0 CM
WEIGHT 2.1 LBS	1.0 KGS

**933**      **DF**  
NEW

HEIGHT 26 7/8 IN	71.1 CM
WIDTH 14 3/4 IN	37.5 CM
THICK 7/8 IN	2.2 CM
WEIGHT 7.5 LBS	3.4 KGS

**1070**      **DF**

HEIGHT 24 IN	61.0 CM
WIDTH 11 3/4 IN	29.8 CM
THICK 1 IN	2.5 CM
WEIGHT 5.1 LBS	2.3 KGS

**775**      **SBO**  
OLD 775F

HEIGHT 5 IN	12.7 CM
WIDTH 21 3/4 IN	55.2 CM
THICK 7/8 IN	2.2 CM
WEIGHT 2.2 LBS	1.0 KGS

**933**      **DF**  
NEW

HEIGHT 26 7/8 IN	71.1 CM
WIDTH 14 3/4 IN	37.5 CM
THICK 7/8 IN	2.2 CM
WEIGHT 7.5 LBS	3.4 KGS

**1070**      **DF**

HEIGHT 24 IN	61.0 CM
WIDTH 11 3/4 IN	29.8 CM
THICK 1 IN	2.5 CM
WEIGHT 5.1 LBS	2.3 KGS

**790**      **DF**  
OLD 790F

HEIGHT 3 1/2 IN	8.9 CM
WIDTH 27 IN	68.6 CM
THICK 1/2 IN	1.3 CM
WEIGHT 2.0 LBS	0.9 KGS

REVISION DATE: 01/19/95

SCALE: 1 INCH = 1 FOOT UNLESS NOTED



# ALLOY CASTING

Aluminum

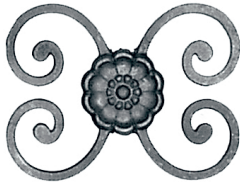
Toll Free (800) 527-1318

(972) 286-2368

Fax (972) 557-4727

# NEW ASSORTED DESIGNS

DOUBLE FACE

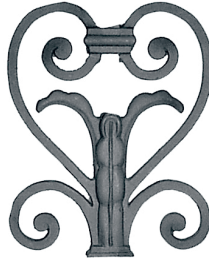


HOLE IS 5/8" X 5/8" SQUARE

**1010**

HEIGHT 6"  
WIDTH: 7 3/4"  
THICK: 1 3/4"  
WEIGHT: 1.10 lbs

DOUBLE FACE



HOLE IS 5/8" X 5/8" SQUARE

**1011**

HEIGHT 10"  
WIDTH: 8"  
THICK: 1 3/8"  
WEIGHT: 1.50 lbs

DOUBLE FACE



**4482**

HEIGHT 3 5/8"  
WIDTH: 15 1/2"  
THICK: 5/8"  
WEIGHT: .8 lbs

DOUBLE FACE



**4440**

HEIGHT 28 1/4"  
WIDTH: 7 1/2"  
THICK: 1/2"  
WEIGHT: 3.5 lbs

DOUBLE FACE



**1896**

HEIGHT 21 5/8"  
WIDTH: 9 3/8"  
THICK: 3/4"  
WEIGHT: 3.3 lbs

DOUBLE FACE



**1875**

HEIGHT 31 3/8"  
WIDTH: 5 5/8"  
THICK: 3/4"  
WEIGHT: 2.8 lbs

DOUBLE FACE

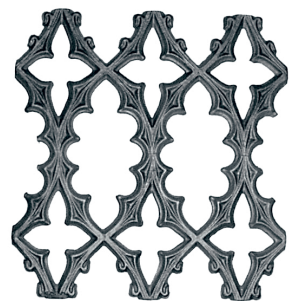


FEET 1 3/8" DIA

**1886**

HEIGHT 30 3/4"  
WIDTH: 9"  
THICK: 7/8"  
WEIGHT: 4.4 lbs

DOUBLE FACE



**4450**

HEIGHT 14 5/8"  
WIDTH: 14 1/8"  
THICK: 5/8"  
WEIGHT: 3.6 lbs

DOUBLE FACE



**530**

HEIGHT 9 7/8"  
WIDTH: 5 1/4"  
THICK: 1 1/8"  
WEIGHT: .60 lbs

DOUBLE FACE



STUBS 1/2" BY 1/2" BY 3/4"L, FITS 3/4 SQ TUBE

**531**

HEIGHT 9"  
WIDTH: 4 3/4"  
THICK: 3/4"  
WEIGHT: .60 lbs

DOUBLE FACE



END COLLAR 1" THICK BY 7/8" W

**532**

HEIGHT 8 5/8"  
WIDTH: 4 3/8"  
THICK: 5/8"  
WEIGHT: .60 lbs

DOUBLE FACE



END COLLAR 1 3/8"W BY 1 1/2" T

**541**

HEIGHT 8 3/8"  
WIDTH: 4 5/8"  
THICK: 1 1/2"  
WEIGHT: .90 lbs



# ALUMINUM CASTINGS

Toll Free (800) 527-1318

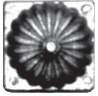
(972) 286-2368

Fax: (972) 557-4727


Section:

Late Additions

**8016** 1 1/2"  
NEW



TOP VIEW




SIDE VIEW


STUB IS 3/4 INCH LONG BY 1 3/8 INCHES SQUARE AND TAPERED. SEAT IS 2 1/8 INCHES SQUARE.

HEIGHT	1 3/8 IN	3.5 CM
WIDTH	2 1/8 IN	5.4 CM
THICK	2 1/8 IN	5.4 CM
WEIGHT	0.2 LBS	0.1 KGS

**1400** 1"  
NEW



TOP VIEW



SIDE VIEW

TUBE SEAT IS 2 INCHES SQUARE. STUB IS 1 INCH SQUARE ("X" SHAPED") AND 1/4 INCH LONG.

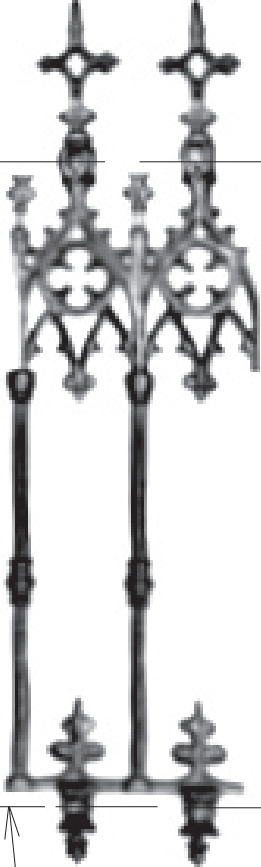
HEIGHT	2 IN	5.1 CM
WIDTH	2 IN	5.1 CM
THICK	1 3/8 IN	3.5 CM
WEIGHT	0.1 LBS	0.05 KGS

**8298** 1/2"  
NEW



HEIGHT	6 1/4 IN	15.9 CM
WIDTH	3 1/2 IN	8.9 CM
THICK	1 1/4 IN	3.2 CM
WEIGHT	0.4 LBS	0.2 KGS

**9298** **DF**



SEE PAGE 105

NOTE: THIS PIECE IN DEVELOPMENT. IF INTERESTED PLEASE CONTACT US BY PHONE.

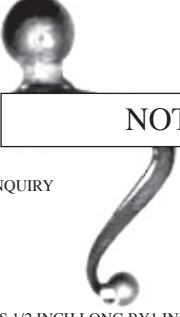
AVAILABLE

CENTERLINE OF 7/8 INCH SQUARE HOLE IN THIS PIECE. (TOP AND BOTTOM)

SCALE: 2 INCHES = 1 FOOT

HEIGHT	36 IN	91.4 CM
WIDTH	12 IN	28.6 CM
THICK	1 7/8 IN	4.8 CM
WEIGHT	5.1 LBS	2.3 KGS

**8030** 1"




INQUIRY

STUB IS 1/2 INCH LONG BY 1 INCH SQUARE AND TAPERED. SEAT IS 1 3/4 INCHES SQUARE.

HEIGHT	6 1/2 IN	16.5 CM
WIDTH	3 3/4 IN	9.5 CM
THICK	1 3/4 IN	4.4 CM
WEIGHT	0.9 LBS	0.4 KGS

**8031** 1"




INQUIRY

STUB IS 1/2 INCH LONG BY 1 INCH SQUARE AND TAPERED. SEAT IS 1 3/4 INCHES SQUARE.

HEIGHT	7 7/8 IN	20.0 CM
WIDTH	3 7/8 IN	9.8 CM
THICK	1 3/4 IN	4.4 CM
WEIGHT	0.9 LBS	0.4 KGS

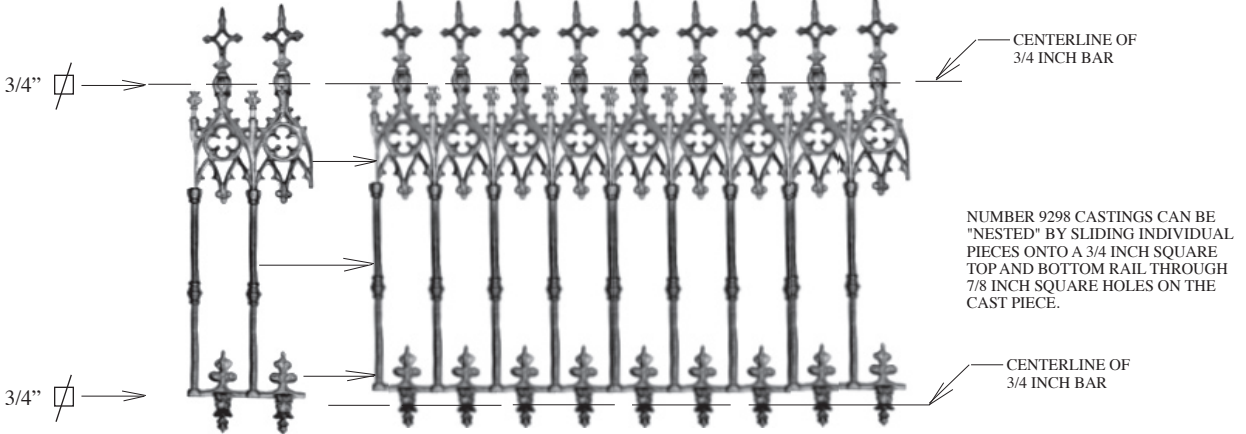
**BASKET**



SEE PAGE 105

NOTE: THIS PIECE IN DEVELOPMENT. IF INTERESTED PLEASE CONTACT US BY PHONE.

AVAILABLE



REVISION DATE: 02/28/95

SCALE: 3 INCHES = 1 FOOT UNLESS NOTED